



TEST REPORT

Report No.: STSGZ2210083056E

Date: 14-Nov-2022

Page 1 of 31

Applicant : CARPENTERS MANUFACTORY LIMITED
Address: HUANG JIN JI INDUSTRIAL ZONE, SHANG JIE VILLAGE, QI SHI TOWN, DONG GUAN CITY, GUANG DONG PROVINCE, P.R.CHINA

The following sample(s) and sample information was/were submitted and identified by client as:

Sample Name: Toddler 2-Sided Floorstand Easel, 1-Sided Leaning Floorstand Easel
Model/Style/Item #: ME19189, ME19196
Labeled Age Grading: 3Y+
Requested Age Grading: 3Y+
Tested Age Grading: 3Y+
Receiving Date: 8-Oct-2022,27-Oct-2022
Test Period: From 8-Oct-2022 to 27-Oct-2022
Add Information: -

*****Please refer to the following page for detailed results*****

Signed for and on behalf of STS

Tim Qi
(Technical Director)



This report is issued by the company in accordance with the requirements of the "Conditions of Issuance of Test Reports" printed in the attached page. Unless otherwise stated, the results presented in this report only apply to the samples tested this time. Partial reproduction of this report is not allowed unless approved by the company in writing.

Guangzhou Depuhua Test Services Co. Ltd.

A301, 3/F., Xinghui Building, Guanqiao, Shilou, Panyu District, Guangzhou, Guangdong e-mail: stsgz@stsapp.com
Phone: +86 (0)20-6664 1688 Fax: +86 (0)20-6664 1699 Web://www.stsgz.com



TEST REPORT

Report No.: STSGZ2210083056E

Date: 14-Nov-2022

Page 2 of 31

Test Summary:

#	Test Item(s)	Reference Standard/Method	Result
1	Safety of Toys: Mechanical and Physical Properties	EN 71-1:2014+A1:2018	PASS
2	Safety of Toys: Flammability	EN 71-2:2020	PASS
3	Safety of Toys: Migration of Certain Elements	EN 71-3:2019+A1:2021	PASS
4	Labeling requirement (Washing/Cleaning Label, CE mark, importer / manufacturer mark (name, address), product identification) according to Informative Annex A.26 and A.33 of the European standard on Safety of toys EN 71-1:2014+A1:2018 and the Directive 2009/48/EC-Safety of toys	EN 71-1:2014+A1:2018 and the Directive 2009/48/EC-Safety of toys	SEE RESULT
5	Phthalate content (DIBP、DEHP、DBP、BBP、DINP、DIDP、DNOP) -Item 51&52 of Annex XVII of REACH Regulation (EC) 1907/2006.	EN 14372:2004 & IEC 62321-8:2017, determined by GC-MS	PASS
6	Cadmium content -Item 23 of Annex XVII of REACH Regulation (EC) 1907/2006	IEC 62321-5:2013, determined by AAS	PASS
7	Mechanical and Physical Propertie	ASTM F963-17	PASS
8	Flammability of Solids	16 CFR 1500.44 / ASTM F963-17, A5	PASS
9	Soluble Migrated Elements ASTM F963-17	ASTM F963-17, determined by ICP-OES	PASS
10	Lead Content (Pb) ASTM F963-17	CPSC-CH-E1001-08.3 (Metal Substrate), CPSC-CH-E1002-08.3 (Non-metal Substrate), CPSC-CH-E1003-09.1 (Surface Coating), determined by AAS	PASS
11	Lead Content (Pb) CPSIA H.R. 4040 Sec. 101	CPSC-CH-E1001-08.3 (Metal Substrate), CPSC-CH-E1002-08.3 (Non-metal Substrate), CPSC-CH-E1003-09.1 (Surface Coating), determined by AAS	PASS
12	Phthalates (DIBP, DBP, DPENP, DHEXP, BBP, DEHP, DCHP, DINP) - CPSIA H.R. 4040 Sec. 108	CPSC-CH-C1001-09.4, Solvent extract and determined by GC/MS	PASS
13	Mechanical and Physical Properties (Except Clause 3)	SOR/2011-17	PASS
14	Flammability	SOR/2011-17	PASS
15	Lead Content (Pb) and Mercury Content (Hg) SOR/2011-17	Canada Product Safety Laboratory Book 5 - Laboratory Policies and Procedures Part B, Test Methods Section, Method C02.2:2017&Method C-07:2019	PASS
16	Soluble Migrated Elements SOR/2011-17	Canada Product safety reference manual Book 5- Laboratory policies and procedures Part B: Test Methods Section, Method C-03: 2018	PASS
17	Phthalates (DBP, BBP, DEHP, DNOP, DINP, DIDP) SOR/2016-188	Canada health - Product Safety Reference Manual, Book 5 - Laboratory Policies and Procedures Part B: Test Methods Section. Method C-34:2018, Solvent extract and determined by GC/MS	PASS

This report is issued by the company in accordance with the requirements of the "Conditions of Issuance of Test Reports" printed in the attached page. Unless otherwise stated, the results presented in this report only apply to the samples tested this time. Partial reproduction of this report is not allowed unless approved by the company in writing.

Guangzhou Depuhua Test Services Co. Ltd.

A301, 3/F., Xinghui Building, Guanqiao, Shilou, Panyu District, Guangzhou, Guangdong e-mail: stsgz@stsapp.com

Phone: +86 (0)20-6664 1688

Fax: +86 (0)20-6664 1699

Web://www.stsgz.com



TEST REPORT

Report No.: STSGZ2210083056E

Date: 14-Nov-2022

Page 3 of 31

18	Mechanical and Physical Propertie - Australian/New Zealand Standard on Safety of Toys	AS/NZS ISO 8124.1:2019	PASS
19	Flammability Properties - Australian/New Zealand Standard on Safety of Toys	AS/NZS 8124.2:2016	PASS
20	Soluble elements Content- Australian/New Zealand Standard on Safety of Toys	AS/NZS ISO 8124.3:2021,determined by ICP	PASS
21	Phthalates content- As Client' s Requirement	CPSC-CH-C1001-09.4, determined by GC-MS	SEE RESULT
22	Lead Content (Pb) - 16 CFR 1303	CPSC-CH-E1003-09.1(Surface Coating) ,determined by AAS	PASS

Result:

1. Safety of Toys: Mechanical and Physical Properties – EN 71-1:2014+A1:2018

PASS

Clause	Parameter	Results
4	General requirements	
4.1	Material cleanliness	Pass
4.2	Assembly	Pass
4.3	Flexible plastic sheeting	NA
4.4	Toy bags	NA
4.5	Glass	NA
4.6	Expanding materials	NA
4.7	Edges	Pass
4.8	Points and metallic wires	Pass
4.9	Protruding parts	NA
4.10	Parts moving against each other	NA
4.11	Mouth-actuated toys and other toys intended to be put in the mouth	NA
4.12	Balloons	NA
4.13	Cords of toy kites and other flying toys	NA
4.14	Enclosures	NA

This report is issued by the company in accordance with the requirements of the "Conditions of Issuance of Test Reports" printed in the attached page. Unless otherwise stated, the results presented in this report only apply to the samples tested this time. Partial reproduction of this report is not allowed unless approved by the company in writing.

Guangzhou Depuhua Test Services Co. Ltd.

A301, 3/F., Xinghui Building, Guanqiao, Shilou, Panyu District, Guangzhou, Guangdong e-mail: stsgz@ststapp.com

Phone: +86 (0)20-6664 1688

Fax: +86 (0)20-6664 1699

Web://www.stsgz.com



TEST REPORT

Report No.: STSGZ2210083056E

Date: 14-Nov-2022

Page 4 of 31

4.15	Toys intended to bear the mass of a child	NA
4.16	Heavy immobile toys	Pass
4.17	Projectile toys	NA
4.18	Aquatic toys and inflatable toys	NA
4.19	Percussion caps specifically designed for use in toys and toys using percussion caps	NA
4.20	Acoustics	NA
4.21	Toys containing a non-electrical heat source	NA
4.22	Small balls	NA
4.23	Magnets	NA
4.24	Yo-yo balls	NA
4.25	Toys attached to food	NA
4.26	Toy disguise costumes	NA
4.27	Flying toys	NA
5	Toys intended for children under 36 months	
5.1	General requirement	NA
5.2	Soft-filled toys and soft-filled parts of a toy	NA
5.3	Plastic sheeting	NA
5.4	Cords, chains and electrical cables in toys	NA
5.5	Liquid-filled toys	NA
5.6	Speed limitation of electrically-driven ride-on toys	NA
5.7	Glass and porcelain	NA
5.8	Shape and size of certain toys	NA
5.9	Toys comprising monofilament fibres	NA
5.10	Small balls	NA
5.11	Play figures	NA

This report is issued by the company in accordance with the requirements of the "Conditions of Issuance of Test Reports" printed in the attached page. Unless otherwise stated, the results presented in this report only apply to the samples tested this time. Partial reproduction of this report is not allowed unless approved by the company in writing.

Guangzhou Depuhua Test Services Co. Ltd.

A301, 3/F., Xinghui Building, Guanqiao, Shilou, Panyu District, Guangzhou, Guangdong e-mail: stsgz@stsapp.com

Phone: +86 (0)20-6664 1688

Fax: +86 (0)20-6664 1699

Web://www.stsgz.com



TEST REPORT

Report No.: STSGZ2210083056E

Date: 14-Nov-2022

Page 5 of 31

5.12	Hemispheric-shaped toys	NA
5.13	Suction cups	NA
5.14	Straps intended to be worn fully or partially around the neck	NA
5.15	Sledges with cords for pulling	NA
6	Packaging	NA
7	Warnings, markings and instructions for use	
7.1	General	Pass
7.2	Toys not intended for children under 36 months	Pass
7.3	Latex balloons	NA
7.4	Aquatic toys	NA
7.5	Functional toys	NA
7.6	Hazardous sharp functional edges and points	NA
7.7	Projectile toys	NA
7.8	Imitation protective masks and helmets	NA
7.9	Toy kites	NA
7.10	Roller skates, inline skates, skateboards and certain other ride-on toys	NA
7.11	Toys otherwise intended to be strung across a cradle, cot, or perambulator	NA
7.12	Liquid-filled teethers	NA
7.13	Percussion caps specifically designed for use in toys	NA
7.14	Acoustics	NA
7.15	Toy bicycles	NA
7.16	Toys intended to bear the mass of a child	NA
7.17	Toys comprising monofilament fibres	NA
7.18	Toy scooters	NA

This report is issued by the company in accordance with the requirements of the "Conditions of Issuance of Test Reports" printed in the attached page. Unless otherwise stated, the results presented in this report only apply to the samples tested this time. Partial reproduction of this report is not allowed unless approved by the company in writing.

Guangzhou Depuhua Test Services Co. Ltd.

A301, 3/F., Xinghui Building, Guanqiao, Shilou, Panyu District, Guangzhou, Guangdong e-mail: stsgz@stsapp.com
Phone: +86 (0)20-6664 1688 Fax: +86 (0)20-6664 1699 Web://www.stsgz.com



TEST REPORT

Report No.: STSGZ2210083056E

Date: 14-Nov-2022

Page 6 of 31

7.19	Rocking horses and similar toys	NA
7.20	Magnetic / electrical experimental sets	NA
7.21	Toys with electrical cables exceeding 300 mm in length	NA
7.22	Toys with cords or chains intended for children of 18 months and over but under 36 months	NA
7.23	Toys intended to be attached to a cradle, cot or perambulator	NA
7.24	Sledges with cords for pulling	NA
7.25	Flying toys	NA
7.26	Improvised projectiles	NA

Remark(s): NA = Not Applicable

2. Safety of Toys: Flammability – EN 71-2:2020

PASS

Clause	Parameter	Results
4.1	General requirements	Pass
4.2	Toys to be worn on the head	NA
4.3	Toy disguise costumes and toys intended to be worn by a child in play	NA
4.4	Toys intended to be entered by a child	NA
4.5	Soft-filled toys	NA

Remark(s): NA = Not Applicable

This report is issued by the company in accordance with the requirements of the "Conditions of Issuance of Test Reports" printed in the attached page. Unless otherwise stated, the results presented in this report only apply to the samples tested this time. Partial reproduction of this report is not allowed unless approved by the company in writing.

Guangzhou Depuhua Test Services Co. Ltd.

A301, 3/F., Xinghui Building, Guanqiao, Shilou, Panyu District, Guangzhou, Guangdong e-mail: stsgz@ststapp.com
Phone: +86 (0)20-6664 1688 Fax: +86 (0)20-6664 1699 Web://www.stsgz.com



TEST REPORT

Report No.: STSGZ2210083056E

Date: 14-Nov-2022

Page 7 of 31

3. Safety of Toys: Migration of Certain Elements

EN 71-3:2019+A1:2021

General elements determined by ICP-MS

Chromium(VI) determined by IC-ICP-MS

Organic tin determined by GC-MS

Compound		Material				Limit (mg/kg)	RL (mg/kg)
		Category III*1					
		1	2	3	4		
1	Aluminum (Al)	N.D.	16	16	N.D.	70000	10
2	Antimony (Sb)	N.D.	N.D.	N.D.	N.D.	560	10
3	Arsenic(As)	N.D.	N.D.	N.D.	N.D.	47	5
4	Barium(Ba)	N.D.	N.D.	N.D.	N.D.	18750	10
5	Boron (B)	N.D.	N.D.	N.D.	N.D.	15000	10
6	Cadmium (Cd)	N.D.	N.D.	N.D.	N.D.	17	5
7	Chromium (III) (Cr)	N.D.	N.D.	N.D.	N.D.	460	10
8	Chromium (VI) (Cr)	N.D.	N.D.	N.D.	N.D.	0.053	0.053
9	Cobalt (Co)	N.D.	N.D.	N.D.	N.D.	130	10
10	Copper (Cu)	N.D.	N.D.	N.D.	N.D.	7700	10
11	Lead(Pb)	N.D.	N.D.	N.D.	N.D.	23	5
12	Manganese (Mn)	42	N.D.	N.D.	N.D.	15000	10
13	Mercury (Hg)	N.D.	N.D.	N.D.	N.D.	94	10
14	Nickel (Ni)	N.D.	N.D.	N.D.	N.D.	930	10
15	Selenium(Se)	N.D.	N.D.	N.D.	N.D.	460	10
16	Strontium (Sr)	N.D.	N.D.	N.D.	N.D.	56000	10
17	Tin (Sn)	N.D.	N.D.	N.D.	N.D.	180000	4.9
18	Organic tin (Sn)	N.D.*2	N.D.*2	N.D.*2	N.D.*2	12*2	0.2*2
19	Zinc (Zn)	12	N.D.	116	22	46000	10
Conclusion		PASS	PASS	PASS	PASS	-	-

This report is issued by the company in accordance with the requirements of the "Conditions of Issuance of Test Reports" printed in the attached page. Unless otherwise stated, the results presented in this report only apply to the samples tested this time. Partial reproduction of this report is not allowed unless approved by the company in writing.

Guangzhou Depuhua Test Services Co. Ltd.

A301, 3/F., Xinghui Building, Guanqiao, Shilou, Panyu District, Guangzhou, Guangdong e-mail: stsgz@stsgz.com

Phone: +86 (0)20-6664 1688

Fax: +86 (0)20-6664 1699

Web://www.stsgz.com



TEST REPORT

Report No.: STSGZ2210083056E

Date: 14-Nov-2022

Page 8 of 31

Compound		Material			Limit (mg/kg)	RL (mg/kg)
		Category III*1				
		5	6	13		
1	Aluminum (Al)	N.D.	N.D.	N.D.	70000	10
2	Antimony (Sb)	N.D.	N.D.	N.D.	560	10
3	Arsenic(As)	N.D.	N.D.	N.D.	47	5
4	Barium(Ba)	N.D.	N.D.	N.D.	18750	10
5	Boron (B)	N.D.	N.D.	N.D.	15000	10
6	Cadmium (Cd)	N.D.	N.D.	N.D.	17	5
7	Chromium (III) (Cr)	N.D.	N.D.	N.D.	460	10
8	Chromium (VI) (Cr)	N.D.	N.D.	N.D.	0.053	0.053
9	Cobalt (Co)	N.D.	N.D.	N.D.	130	10
10	Copper (Cu)	N.D.	N.D.	N.D.	7700	10
11	Lead(Pb)	N.D.	N.D.	N.D.	23	5
12	Manganese (Mn)	N.D.	N.D.	N.D.	15000	10
13	Mercury (Hg)	N.D.	N.D.	N.D.	94	10
14	Nickel (Ni)	N.D.	N.D.	N.D.	930	10
15	Selenium(Se)	N.D.	N.D.	N.D.	460	10
16	Strontium (Sr)	N.D.	15	N.D.	56000	10
17	Tin (Sn)	N.D.	N.D.	N.D.	180000	4.9
18	Organic tin (Sn)	N.D.*2	N.D.*2	N.D.*2	12*2	0.2*2
19	Zinc (Zn)	205	10	N.D.	46000	10
Conclusion		PASS	PASS	PASS	-	-

Remark(s): (a) mg/kg: milligram per kilogram = part per million = ppm

(b) RL: Report limit

(c) N.D.: Not detected (result is less than RL)

*1: Categories of various materials:

Category I: Dry, brittle, powder like or pliable material

This report is issued by the company in accordance with the requirements of the "Conditions of Issuance of Test Reports" printed in the attached page. Unless otherwise stated, the results presented in this report only apply to the samples tested this time. Partial reproduction of this report is not allowed unless approved by the company in writing.

Guangzhou Depuhua Test Services Co. Ltd.

A301, 3/F., Xinghui Building, Guanqiao, Shilou, Panyu District, Guangzhou, Guangdong e-mail: stsgz@stsapp.com

Phone: +86 (0)20-6664 1688

Fax: +86 (0)20-6664 1699

Web://www.stsgz.com



TEST REPORT

Report No.: STSGZ2210083056E

Date: 14-Nov-2022

Page 9 of 31

Category II: Liquid or sticky material
Category III: Scraped-off material
*2: Expressed as soluble Tributyltin.

4. Safety of Toys: Labeling requirement EN 71- 1:2014+A1:2018 AND THE DIRECTIVE 2009/48/EC

Summary table:

	Observation Result	Location
Washing/Cleaning instruction	Not applicable	--
CE mark	Present	Packaging
Importer's Name & Address	Present	Packaging
Manufacturer's Name & Address	Present	Packaging
Product ID	Present	Packaging

Remark(s): 1. According to Directive 2009/48/EC, a toy intended for use by children under 36 months must be designed and manufactured in such a way that it can be cleaned. A textile toy must, to this end, be washable, except if it contains a mechanism that may be damaged if soaked. The manufacturer should, if applicable, provide instructions on how the toy has to be cleaned. According to the GUIDANCE DOCUMENT ON THE APPLICATION OF DIRECTIVE 2009/48/EC ON THE SAFETY OF TOYS, manufacturer shall not label "surface washing" on textile toys which, under the TSD, need to be soaked washable."

2. CE marking should be visible from outside the packaging and its height must be at least 5mm.

3. Manufacturer's and Importer's name, registered trade name or registered trade mark and the address at which the manufacturer can be contacted must be indicated on the toy or, where that is not possible, on its packaging or in a document accompanying the toy.

4. Manufacturers must ensure that their toys bear a type, batch, serial or model number or other element allowing their identification, or where the size or nature of the toy does not allow it, that the required information is provided on the packaging or in a document accompanying the toy.

5. The label assessment was based on the submitted samples and the information provided by the applicant. There was no verification on the validity of such information.

5. Phthalate content (DIBP, DEHP, DBP, BBP, DINP, DIDP, DNOP) - Item 51 & 52 of Annex XVII of REACH Regulation (EC) 1907/2006 EN 14372:2004 & IEC 62321-8:2017, determined by GC-MS

Compound			Material				Limit (%)	RL (%)
			1	2	3	4		
1	DBP	Dibutyl Phthalate CAS# 84-74-2	N.D.	N.D.	N.D.	N.D.	-	0.005
2	BBP	Benzylbutyl Phthalate CAS# 85-68-7	N.D.	N.D.	N.D.	N.D.	-	0.005
3	DEHP	Bis-(2-ethylhexyl)Phthalate CAS# 117-81-7	N.D.	N.D.	N.D.	N.D.	-	0.005
4	DIBP	Diisobutyl phthalate CAS# 84-69-5	N.D.	N.D.	N.D.	N.D.	-	0.005

This report is issued by the company in accordance with the requirements of the "Conditions of Issuance of Test Reports" printed in the attached page. Unless otherwise stated, the results presented in this report only apply to the samples tested this time. Partial reproduction of this report is not allowed unless approved by the company in writing.

Guangzhou Depuhua Test Services Co. Ltd.

A301, 3/F., Xinghui Building, Guanqiao, Shilou, Panyu District, Guangzhou, Guangdong e-mail: stsgz@stsapp.com

Phone: +86 (0)20-6664 1688

Fax: +86 (0)20-6664 1699

Web://www.stsgz.com



TEST REPORT

Report No.: STSGZ2210083056E

Date: 14-Nov-2022

Page 10 of 31

5	DNOP	Di-n-octyl phthalate CAS# 117-84-0	N.D.	N.D.	N.D.	N.D.	-	0.005
6	DINP	Di-iso-nonyl phthalate CAS# 28553-12-0	N.D.	N.D.	N.D.	N.D.	-	0.005
7	DIDP	Diisodecyl phthalate CAS# 26761-40-0	N.D.	N.D.	N.D.	N.D.	-	0.005
8	Sum of 1, 2, 3 & 4		N.D.	N.D.	N.D.	N.D.	N.D.	-
9	Sum of 5, 6 & 7		N.D.	N.D.	N.D.	N.D.	N.D.	-
Conclusion			PASS	PASS	PASS	PASS	-	-

Compound			Material				Limit (%)	RL (%)
			5	11	12	13		
1	DBP	Dibutyl Phthalate CAS# 84-74-2	N.D.	N.D.	N.D.	N.D.	-	0.005
2	BBP	Benzylbutyl Phthalate CAS# 85-68-7	N.D.	N.D.	N.D.	N.D.	-	0.005
3	DEHP	Bis-(2-ethylhexyl)Phthalate CAS# 117-81-7	N.D.	N.D.	N.D.	N.D.	-	0.005
4	DIBP	Diisobutyl phthalate CAS# 84-69-5	N.D.	N.D.	N.D.	N.D.	-	0.005
5	DNOP	Di-n-octyl phthalate CAS# 117-84-0	N.D.	N.D.	N.D.	N.D.	-	0.005
6	DINP	Di-iso-nonyl phthalate CAS# 28553-12-0	N.D.	N.D.	N.D.	N.D.	-	0.005
7	DIDP	Diisodecyl phthalate CAS# 26761-40-0	N.D.	N.D.	N.D.	N.D.	-	0.005
8	Sum of 1, 2, 3 & 4		N.D.	N.D.	N.D.	N.D.	N.D.	-
9	Sum of 5, 6 & 7		N.D.	N.D.	N.D.	N.D.	N.D.	-
Conclusion			PASS	PASS	PASS	PASS	-	-

Remark(s): (a) RL: Report limit
(b) N.D.: Not detected (result is less than RL)

This report is issued by the company in accordance with the requirements of the "Conditions of Issuance of Test Reports" printed in the attached page. Unless otherwise stated, the results presented in this report only apply to the samples tested this time. Partial reproduction of this report is not allowed unless approved by the company in writing.

Guangzhou Depuhua Test Services Co. Ltd.

A301, 3/F., Xinghui Building, Guanqiao, Shilou, Panyu District, Guangzhou, Guangdong e-mail: stsgz@stsapp.com

Phone: +86 (0)20-6664 1688

Fax: +86 (0)20-6664 1699

Web://www.stsgz.com



TEST REPORT

Report No.: STSGZ2210083056E

Date: 14-Nov-2022

Page 11 of 31

6. Cadmium content -Item 23 of Annex XVII of REACH Regulation (EC) 1907/2006 IEC 62321-5:2013, determined by AAS

Compound		Material				Limit (mg/kg)	RL (mg/kg)
		2	3	4	5		
1	Cadmium (Cd) CAS#7440-43-9	N.D.	N.D.	N.D.	N.D.	1000	10
Conclusion		PASS	PASS	PASS	PASS	-	-

Compound		Material		Limit (mg/kg)	RL (mg/kg)
		13			
1	Cadmium (Cd) CAS#7440-43-9	N.D.		1000	10
Conclusion		PASS		-	-

Compound		Material			Limit (mg/kg)	RL (mg/kg)
		1	11	12		
1	Cadmium (Cd) CAS#7440-43-9	N.D.	N.D.	N.D.	100	10
Conclusion		PASS	PASS	PASS	-	-

Remark(s): (a) RL: Report limit
(b) N.D.: Not detected (result is less than RL)

7. Mechanical and Physical Properties – ASTM F963-17

PASS

Clause	Parameter	Results
4	Safety Requirements	
4.1	Material Quality	Pass
4.2	Flammability	NA
4.4	Electrical / Thermal Energy	NA

This report is issued by the company in accordance with the requirements of the "Conditions of Issuance of Test Reports" printed in the attached page. Unless otherwise stated, the results presented in this report only apply to the samples tested this time. Partial reproduction of this report is not allowed unless approved by the company in writing.

Guangzhou Depuhua Test Services Co. Ltd.

A301, 3/F., Xinghui Building, Guanqiao, Shilou, Panyu District, Guangzhou, Guangdong e-mail: stsgz@ststapp.com

Phone: +86 (0)20-6664 1688

Fax: +86 (0)20-6664 1699

Web://www.stsgz.com



TEST REPORT

Report No.: STSGZ2210083056E

Date: 14-Nov-2022

Page 12 of 31

4.5	Sound-Producing Toys	NA
4.6	Small Objects	Pass
4.7	Accessible Edges	Pass
4.8	Projections	NA
4.9	Accessible Points	Pass
4.10	Wires or Rods	NA
4.11	Nails and Fasteners	Pass
4.12	Plastic Film	NA
4.13	Folding Mechanisms and Hinges	NA
4.14	Cords, Straps, and Elastics	NA
4.15	Stability and Over-Load Requirements	Pass
4.16	Confined Spaces	NA
4.17	Wheels, Tires, and Axles	NA
4.18	Holes, Clearance, and Accessibility of Mechanisms	NA
4.19	Simulated Protective Devices	NA
4.20	Pacifiers	NA
4.21	Projectile Toys	NA
4.22	Teethers and Teething Toys	NA
4.23	Rattles	NA
4.24	Squeeze Toys	NA
4.26	Toys Intended to be Attached to a Crib or Playpen	NA
4.27	Stuffed and Beanbag-Type Toys	NA
4.28	Stroller and Carriage Toys	NA
4.29	Art Materials	NA
4.30	Toy Gun Marking	NA

This report is issued by the company in accordance with the requirements of the "Conditions of Issuance of Test Reports" printed in the attached page. Unless otherwise stated, the results presented in this report only apply to the samples tested this time. Partial reproduction of this report is not allowed unless approved by the company in writing.

Guangzhou Depuhua Test Services Co. Ltd.

A301, 3/F., Xinghui Building, Guanqiao, Shilou, Panyu District, Guangzhou, Guangdong e-mail: stsgz@stsapp.com

Phone: +86 (0)20-6664 1688

Fax: +86 (0)20-6664 1699

Web://www.stsgz.com



TEST REPORT

Report No.: STSGZ2210083056E

Date: 14-Nov-2022

Page 13 of 31

4.31	Balloons	NA
4.32	Certain Toys with Nearly Spherical Ends	NA
4.33	Marbles	NA
4.34	Balls	NA
4.35	Pompoms	NA
4.36	Hemispheric-Shaped Objects	NA
4.37	Yo Yo Elastic Tether Toys	NA
4.38	Magnets	NA
4.39	Jaw Entrapments in Handles and Steering Wheels	NA
4.40	Expanding Materials	NA
4.41	Toy Chests	NA
5	Labeling Requirements	
5.1	Federal Government Requirements	NA
5.2	Age Grading Labeling	Pass
5.3	Safety Labeling Requirements	Pass
5.4	Aquatic Toys	NA
5.5	Crib and Playpen Toys	NA
5.6	Mobiles	NA
5.7	Stroller and Carriage Toys	NA
5.8	Toys Intended to be Assembled by an Adult	Pass
5.9	Simulated Protective Devices	NA
5.10	Toys with Functional Sharp Edges or Points	NA
5.11	Small Objects, Small Balls, Marbles, and Balloons	NA
5.12	Toy Caps	NA
5.13	Art Materials	NA
5.14	Electric Toys	NA

This report is issued by the company in accordance with the requirements of the "Conditions of Issuance of Test Reports" printed in the attached page. Unless otherwise stated, the results presented in this report only apply to the samples tested this time. Partial reproduction of this report is not allowed unless approved by the company in writing.

Guangzhou Depuhua Test Services Co. Ltd.

A301, 3/F., Xinghui Building, Guanqiao, Shilou, Panyu District, Guangzhou, Guangdong e-mail: stsgz@stsapp.com
Phone: +86 (0)20-6664 1688 Fax: +86 (0)20-6664 1699 Web://www.stsgz.com



TEST REPORT

Report No.: STSGZ2210083056E

Date: 14-Nov-2022

Page 14 of 31

5.16	Promotional Materials	NA
5.17	Magnets	NA
6	Instructional Literature	
6.1	Definition and Description	Pass
6.2	Crib and Playpen Toys	NA
6.3	Mobiles	NA
6.4	Toys Intended to be Assembled by an Adult	NA
6.7	Toys in Contact with Food	NA
6.8	Toy Chests	NA
7	Producer's Markings	Pass
8	Test Methods	
8.5	Normal Use Testing	Pass
8.6	Abuse Testing	Pass
8.7	Impact Tests	Pass
8.8	Torque Tests for Removal of Components	Pass
8.9	Tension Tests for Removal of Components	Pass
8.10	Compression Tests	Pass

Remark(s): NA = Not Applicable

8. Flammability of Solids – 16 CFR 1500.44 / ASTM F963-17, A5

PASS

Clause	Parameter	Results
16 CFR 1500.44 / ASTM F963-17, A5	Flammability	Pass

This report is issued by the company in accordance with the requirements of the "Conditions of Issuance of Test Reports" printed in the attached page. Unless otherwise stated, the results presented in this report only apply to the samples tested this time. Partial reproduction of this report is not allowed unless approved by the company in writing.

Guangzhou Depuhua Test Services Co. Ltd.

A301, 3/F., Xinghui Building, Guanqiao, Shilou, Panyu District, Guangzhou, Guangdong e-mail: stsgz@stsapp.com
Phone: +86 (0)20-6664 1688 Fax: +86 (0)20-6664 1699 Web://www.stsgz.com



TEST REPORT

Report No.: STSGZ2210083056E

Date: 14-Nov-2022

Page 15 of 31

9. Soluble Migrated Elements ASTM F963-17, determined by ICP-OES

Compound		Material				Limit (mg/kg)	RL (mg/kg)
		1	2	3	4		
1	Antimony (Sb)	N.D.	N.D.	N.D.	N.D.	60	5
2	Arsenic (As)	N.D.	N.D.	N.D.	N.D.	25	2
3	Barium (Ba)	N.D.	N.D.	N.D.	N.D.	1000	5
4	Cadmium (Cd)	N.D.	N.D.	N.D.	N.D.	75	5
5	Chromium (Cr)	N.D.	N.D.	N.D.	N.D.	60	5
6	Lead (Pb)	N.D.	N.D.	N.D.	N.D.	90	5
7	Mercury (Hg)	N.D.	N.D.	N.D.	N.D.	60	5
8	Selenium (Se)	N.D.	N.D.	N.D.	N.D.	500	5
Conclusion		PASS	PASS	PASS	PASS	-	-

Compound		Material			Limit (mg/kg)	RL (mg/kg)
		5	6	13		
1	Antimony (Sb)	N.D.	N.D.	N.D.	60	5
2	Arsenic (As)	N.D.	N.D.	N.D.	25	2
3	Barium (Ba)	N.D.	N.D.	N.D.	1000	5
4	Cadmium (Cd)	N.D.	N.D.	N.D.	75	5
5	Chromium (Cr)	N.D.	N.D.	N.D.	60	5
6	Lead (Pb)	N.D.	N.D.	N.D.	90	5
7	Mercury (Hg)	N.D.	N.D.	N.D.	60	5
8	Selenium (Se)	N.D.	N.D.	N.D.	500	5
Conclusion		PASS	PASS	PASS	-	-

Remark(s): (a) mg/kg: milligram per kilogram
(b) RL: Report limit
(c) N.D.: Not detected (result is less than RL)

This report is issued by the company in accordance with the requirements of the "Conditions of Issuance of Test Reports" printed in the attached page. Unless otherwise stated, the results presented in this report only apply to the samples tested this time. Partial reproduction of this report is not allowed unless approved by the company in writing.

Guangzhou Depuhua Test Services Co. Ltd.

A301, 3/F., Xinghui Building, Guanqiao, Shilou, Panyu District, Guangzhou, Guangdong e-mail: stsgz@stsapp.com

Phone: +86 (0)20-6664 1688

Fax: +86 (0)20-6664 1699

Web://www.stsgz.com



TEST REPORT

Report No.: STSGZ2210083056E

Date: 14-Nov-2022

Page 16 of 31

10. Lead Content (Pb) – ASTM F963-17

CPSC-CH-E1001-08.3 (Metal Substrate), CPSC-CH-E1002-08.3 (Non-metal Substrate), CPSC-CH-E1003-09.1 (Surface Coating), determined by AAS

Compound		Material				Limit (mg/kg)	RL (mg/kg)
		2	3	4	5		
1	Lead (Pb)	N.D.	N.D.	N.D.	N.D.	90	10
	Conclusion	PASS	PASS	PASS	PASS	-	-

Compound		Material		Limit (mg/kg)	RL (mg/kg)
		13			
1	Lead (Pb)	N.D.		90	10
	Conclusion	PASS		-	-

Compound		Material				Limit (mg/kg)	RL (mg/kg)
		1	7	8	9		
1	Lead (Pb)	N.D.	N.D.	35	N.D.	100	10
	Conclusion	PASS	PASS	PASS	PASS	-	-

Compound		Material		Limit (mg/kg)	RL (mg/kg)
		10			
1	Lead (Pb)	N.D.		100	10
	Conclusion	PASS		-	-

Remark(s): (a) mg/kg: milligram per kilogram
(b) RL: Report limit
(c) N.D.: Not detected (result is less than RL)

This report is issued by the company in accordance with the requirements of the "Conditions of Issuance of Test Reports" printed in the attached page. Unless otherwise stated, the results presented in this report only apply to the samples tested this time. Partial reproduction of this report is not allowed unless approved by the company in writing.

Guangzhou Depuhua Test Services Co. Ltd.

A301, 3/F., Xinghui Building, Guanqiao, Shilou, Panyu District, Guangzhou, Guangdong e-mail: stsgz@stsapp.com
Phone: +86 (0)20-6664 1688 Fax: +86 (0)20-6664 1699 Web://www.stsgz.com



TEST REPORT

Report No.: STSGZ2210083056E

Date: 14-Nov-2022

Page 17 of 31

11. Lead Content (Pb) – CPSIA H.R. 4040 Sec. 101

CPSC-CH-E1001-08.3 (Metal Substrate), CPSC-CH-E1002-08.3 (Non-metal Substrate), CPSC-CH-E1003-09.1 (Surface Coating), determined by AAS

Compound		Material				Limit (mg/kg)	RL (mg/kg)
		2	3	4	5		
1	Lead (Pb)	N.D.	N.D.	N.D.	N.D.	90	10
Conclusion		PASS	PASS	PASS	PASS	-	-

Compound		Material		Limit (mg/kg)	RL (mg/kg)
		13			
1	Lead (Pb)	N.D.		90	10
Conclusion		PASS		-	-

Compound		Material				Limit (mg/kg)	RL (mg/kg)
		1	7	8	9		
1	Lead (Pb)	N.D.	N.D.	35	N.D.	100	10
Conclusion		PASS	PASS	PASS	PASS	-	-

Compound		Material		Limit (mg/kg)	RL (mg/kg)
		10			
1	Lead (Pb)	N.D.		100	10
Conclusion		PASS		-	-

Remark(s): (a) mg/kg: milligram per kilogram
 (b) RL: Report limit
 (c) N.D.: Not detected (result is less than RL)

12. Phthalates (DIBP, DBP, DPENP, DHEXP, BBP, DEHP, DCHP, DINP) - CPSIA H.R. 4040 Sec. 108

CPSC-CH-C1001-09.4, Solvent extract and determined by GC/MS

Compound			Material				Limit (%)	RL (%)
			1	2	3	4		
1	DIBP	Diisobutyl phthalate CAS# 84-69-5	N.D.	N.D.	N.D.	N.D.	0.1	0.005

This report is issued by the company in accordance with the requirements of the "Conditions of Issuance of Test Reports" printed in the attached page. Unless otherwise stated, the results presented in this report only apply to the samples tested this time. Partial reproduction of this report is not allowed unless approved by the company in writing.

Guangzhou Depuhua Test Services Co. Ltd.

A301, 3/F., Xinghui Building, Guanqiao, Shilou, Panyu District, Guangzhou, Guangdong e-mail: stsgz@stsapp.com

Phone: +86 (0)20-6664 1688

Fax: +86 (0)20-6664 1699

Web://www.stsgz.com



TEST REPORT

Report No.: STSGZ2210083056E

Date: 14-Nov-2022

Page 18 of 31

2	DBP	Dibutylphthalate CAS# 84-74-2	N.D.	N.D.	N.D.	N.D.	0.1	0.005
3	DPENP	Di-n-pentyl phthalate CAS# 131-18-0	N.D.	N.D.	N.D.	N.D.	0.1	0.005
4	DHEXP	Di-n-hexyl phthalate CAS# 84-75-3	N.D.	N.D.	N.D.	N.D.	0.1	0.005
5	BBP	Benzylbutylphthalate CAS# 85-68-7	N.D.	N.D.	N.D.	N.D.	0.1	0.005
6	DEHP	Diethylhexylphthalate CAS# 117-81-7	N.D.	N.D.	N.D.	N.D.	0.1	0.005
7	DCHP	Dicycphexyl Phthalate CAS# 84-61-7	N.D.	N.D.	N.D.	N.D.	0.1	0.005
8	DINP	Diisononylphthalate CAS# 28553-12-0	N.D.	N.D.	N.D.	N.D.	0.1	0.005
Conclusion			PASS	PASS	PASS	PASS	-	-

Compound			Material		Limit (%)	RL (%)
			5	13		
1	DIBP	Diisobutyl phthalate CAS# 84-69-5	N.D.	N.D.	0.1	0.005
2	DBP	Dibutylphthalate CAS# 84-74-2	N.D.	N.D.	0.1	0.005
3	DPENP	Di-n-pentyl phthalate CAS# 131-18-0	N.D.	N.D.	0.1	0.005
4	DHEXP	Di-n-hexyl phthalate CAS# 84-75-3	N.D.	N.D.	0.1	0.005
5	BBP	Benzylbutylphthalate CAS# 85-68-7	N.D.	N.D.	0.1	0.005
6	DEHP	Diethylhexylphthalate CAS# 117-81-7	N.D.	N.D.	0.1	0.005
7	DCHP	Dicycphexyl Phthalate CAS# 84-61-7	N.D.	N.D.	0.1	0.005
8	DINP	Diisononylphthalate CAS# 28553-12-0	N.D.	N.D.	0.1	0.005
Conclusion			PASS	PASS	-	-

Remark(s): (a) RL: Report limit
(b) N.D.: Not detected (result is less than RL)

13. Mechanical and Physical Properties – SOR/2011-17

PASS

This report is issued by the company in accordance with the requirements of the "Conditions of Issuance of Test Reports" printed in the attached page. Unless otherwise stated, the results presented in this report only apply to the samples tested this time. Partial reproduction of this report is not allowed unless approved by the company in writing.

Guangzhou Depuhua Test Services Co. Ltd.

A301, 3/F., Xinghui Building, Guanqiao, Shilou, Panyu District, Guangzhou, Guangdong e-mail: stsgz@stsapp.com

Phone: +86 (0)20-6664 1688

Fax: +86 (0)20-6664 1699

Web://www.stsgz.com



TEST REPORT

Report No.: STSGZ2210083056E

Date: 14-Nov-2022

Page 19 of 31

Clause	Parameter	Results
3	Official languages	NR
4	Flexible film bags	NA
7	Small parts	NA
8	Metal edges	Pass
9	Wire frames	NA
10	Plastic edges	Pass
11	Wood	Pass
12	Glass	NA
13	Fasteners	Pass
14	Safety stops or locking devices	NA
15	Spring-wound driving mechanisms	NA
16	Projectile components	NA
17	Enclosures	NA
18	Stability	NA
19	Decibel limit	NA
28	Dolls, plush toys and soft toys – Fastenings	NA
29	Dolls, plush toys and soft toys – Stuffing	NA
30	Dolls, plush toys and soft toys – Small parts	NA
31	Dolls, plush toys and soft toys – Eyes and noses	NA
35	Plant seeds – Noise	NA
36	Plant seeds – stuffing material	NA
37	Pull and push toys	NA
38	Toys steam engines	NA
39	Finger paints	NA

This report is issued by the company in accordance with the requirements of the "Conditions of Issuance of Test Reports" printed in the attached page. Unless otherwise stated, the results presented in this report only apply to the samples tested this time. Partial reproduction of this report is not allowed unless approved by the company in writing.

Guangzhou Depuhua Test Services Co. Ltd.

A301, 3/F., Xinghui Building, Guanqiao, Shilou, Panyu District, Guangzhou, Guangdong e-mail: stsgz@stsapp.com
Phone: +86 (0)20-6664 1688 Fax: +86 (0)20-6664 1699 Web://www.stsgz.com



TEST REPORT

Report No.: STSGZ2210083056E

Date: 14-Nov-2022

Page 20 of 31

40	Rattles	NA
41	Elastics	NA
42	Yo-yo type balls	NA
43	Magnetic toys	NA

Remark(s): NA = Not Applicable
NR=Not Required

14. Flammability – SOR/2011-17

PASS

Clause	Parameter	Results
21	Celluloid or cellulose nitrate	Pass
32	Dolls, plush toys and soft toys – Flammability of outer covering	NA
33	Dolls, plush toys and soft toys – Flammability of yarn	NA
34	Dolls, plush toys and soft toys – Flammability of hair or mane	NA

15. Lead Content (Pb) and Mercury Content (Hg)

Canada Product Safety Laboratory Book 5 - Laboratory Policies and Procedures Part B, Test Methods Section, Method C02.2:2017&Method C-07:2019

Compound		Material				Limit (mg/kg)	RL (mg/kg)
		2	3	4	5		
1	Lead (Pb)	N.D.	N.D.	N.D.	N.D.	90	10
2	Mercury (Hg)	N.D.	N.D.	N.D.	N.D.	Not Detected	5
Conclusion		PASS	PASS	PASS	PASS	-	-

Compound		Material				Limit (mg/kg)	RL (mg/kg)
		13					
1	Lead (Pb)	N.D.				90	10

This report is issued by the company in accordance with the requirements of the "Conditions of Issuance of Test Reports" printed in the attached page. Unless otherwise stated, the results presented in this report only apply to the samples tested this time. Partial reproduction of this report is not allowed unless approved by the company in writing.

Guangzhou Depuhua Test Services Co. Ltd.

A301, 3/F., Xinghui Building, Guanqiao, Shilou, Panyu District, Guangzhou, Guangdong e-mail: stsgz@stsapp.com
Phone: +86 (0)20-6664 1688 Fax: +86 (0)20-6664 1699 Web://www.stsgz.com



TEST REPORT

Report No.: STSGZ2210083056E

Date: 14-Nov-2022

Page 21 of 31

2	Mercury (Hg)	N.D.	Not Detected	5
	Conclusion	PASS	-	-

Remark(s): (a) mg/kg: milligram per kilogram = part per million = ppm
 (b) RL: Report limit
 (c) N.D.: Not detected (result is less than RL)

16. Soluble Migrated Elements- SOR/ 2011 - 17

Canada Product safety reference manual Book 5- Laboratory policies and procedures Part B: Test Methods Section, Method C-03: 2018, determined by ICP-OES

Compound	Material				Limit (mg/kg)	RL (mg/kg)
	2	3	4	5		
1 Antimony (Sb)	N.D.	N.D.	N.D.	N.D.	1000	5
2 Arsenic (As)	N.D.	N.D.	N.D.	N.D.	1000	2
3 Barium (Ba)	N.D.	N.D.	N.D.	N.D.	1000	5
4 Cadmium (Cd)	N.D.	N.D.	N.D.	N.D.	1000	5
5 Selenium (Se)	N.D.	N.D.	N.D.	N.D.	1000	5
Conclusion	PASS	PASS	PASS	PASS	-	-

Compound	Material	Limit (mg/kg)	RL (mg/kg)
	13		
1 Antimony (Sb)	N.D.	1000	5
2 Arsenic (As)	N.D.	1000	2
3 Barium (Ba)	N.D.	1000	5
4 Cadmium (Cd)	N.D.	1000	5
5 Selenium (Se)	N.D.	1000	5
Conclusion	PASS	-	-

Remark(s): (a) mg/kg: milligram per kilogram = part per million = ppm
 (b) RL: Report limit
 (c) N.D.: Not detected (result is less than RL)

17. Phthalates – (DBP, BBP, DEHP, DNOP, DINP, DIDP)

This report is issued by the company in accordance with the requirements of the "Conditions of Issuance of Test Reports" printed in the attached page. Unless otherwise stated, the results presented in this report only apply to the samples tested this time. Partial reproduction of this report is not allowed unless approved by the company in writing.

Guangzhou Depuhua Test Services Co. Ltd.

A301, 3/F., Xinghui Building, Guanqiao, Shilou, Panyu District, Guangzhou, Guangdong e-mail: stsgz@stsapp.com

Phone: +86 (0)20-6664 1688

Fax: +86 (0)20-6664 1699

Web://www.stsgz.com



TEST REPORT

Report No.: STSGZ2210083056E

Date: 14-Nov-2022

Page 22 of 31

Canada health - Product Safety Reference Manual, Book 5 - Laboratory Policies and Procedures Part B: Test Methods Section.
Method C-34:2018, Solvent extract and determined by GC/MS, solvent extract and determined by GC/MS

Compound			Material		Limit (%)	RL (%)
			11	12		
1	DBP	Dibutylphthalate CAS# 84-74-2	N.D.	N.D.	0.1	0.005
2	BBP	Benzylbutylphthalate CAS# 85-68-7	N.D.	N.D.	0.1	0.005
3	DEHP	Diethylhexylphthalate CAS# 117-81-7	N.D.	N.D.	0.1	0.005
4	DNOP	Di-n-octylphthalate CAS# 117-84-0	N.D.	N.D.	0.1	0.005
5	DINP	Diisononylphthalate CAS# 28553-12-0	N.D.	N.D.	0.1	0.005
6	DIDP	Diisodecylphthalate CAS# 26761-40-0	N.D.	N.D.	0.1	0.005
Conclusion			PASS	PASS	-	-

Remark(s): (a) RL: Report limit
(b) N.D.: Not detected (result is less than RL)

18. Mechanical and Physical Properties - Australian/New Zealand Standard on Safety of Toys AS/NZS ISO 8124.1:2019

Section	Testing Items	Assessment
4	Requirements	
4.1	Normal use	Pass
4.2	Reasonably foreseeable abuse	Pass
4.3	Material	Pass
4.4	Small parts	Pass
4.5	Shape, size, and strength of certain toys	NA
4.6	Edges	Pass
4.7	Points	Pass
4.8	Projections	NA
4.9	Metal wires and rods	NA
4.10	Plastic film or plastic bags in packaging and in toys	NA

This report is issued by the company in accordance with the requirements of the "Conditions of Issuance of Test Reports" printed in the attached page. Unless otherwise stated, the results presented in this report only apply to the samples tested this time. Partial reproduction of this report is not allowed unless approved by the company in writing.

Guangzhou Depuhua Test Services Co. Ltd.

A301, 3/F., Xinghui Building, Guanqiao, Shilou, Panyu District, Guangzhou, Guangdong e-mail: stsgz@stsapp.com

Phone: +86 (0)20-6664 1688

Fax: +86 (0)20-6664 1699

Web://www.stsgz.com



TEST REPORT

Report No.: STSGZ2210083056E

Date: 14-Nov-2022

Page 23 of 31

Section	Testing Items	Assessment
4.11	Cords and elastics	NA
4.12	Folding mechanisms	NA
4.13	Holes, clearances and accessibility of mechanisms	NA
4.14	Springs	NA
4.15	Stability and overload requirements	Pass
4.16	Enclosures	NA
4.17	Simulated protective equipment, such as helmets, hats and goggles.	NA
4.18	Projectile toys	NA
4.19	Rotors and propellers	NA
4.20	Aquatic toys	NA
4.21	Braking	NA
4.22	Toy bicycles	NA
4.23	Speed limitation of electrically driven ride-on toys	NA
4.24	Toys containing a heat source	NA
4.25	Liquid-filled toys	NA
4.26	Mouth-actuated toys	NA
4.27	Toy roller skates, toy inline skates and toy skateboards	NA
4.28	Percussion caps	NA
4.29	Acoustic requirements	NA
4.30	Toy scooters	NA
4.31	Magnets and magnetic components	NA
B	Safety-labeling guidelines and manufacturer's markings	
B.2	Safety-labeling guidelines	Pass
B.3	Instructional literature	Pass
B.4	Manufacturer's markings	Pass
	The name, trademark or mark of the manufacturer or the distributor	Pass

This report is issued by the company in accordance with the requirements of the "Conditions of Issuance of Test Reports" printed in the attached page. Unless otherwise stated, the results presented in this report only apply to the samples tested this time. Partial reproduction of this report is not allowed unless approved by the company in writing.

Guangzhou Depuhua Test Services Co. Ltd.

A301, 3/F., Xinghui Building, Guanqiao, Shilou, Panyu District, Guangzhou, Guangdong e-mail: stsgz@stsapp.com

Phone: +86 (0)20-6664 1688

Fax: +86 (0)20-6664 1699

Web://www.stsgz.com



TEST REPORT

Report No.: STSGZ2210083056E

Date: 14-Nov-2022

Page 24 of 31

Section	Testing Items	Assessment
	The address of the manufacturer or the distributor	Pass

Remark(s): NA = Not Applicable

19. Flammability Properties - Australian/New Zealand Standard on Safety of Toys AS/NZS 8124.2:2016

Section	Testing Items	Assessment
4.1	General requirement	Pass
4.2	Toys to be worn on the head	NA
4.3	Toy disguise costumes and toys intended to be worn by a child in a play	NA
4.4	Toys intended to be entered by a child	NA
4.5	Soft-filled toys (animals and dolls, etc.) with a piled or textile surface	NA

Note: NA = Not Applicable.

20. Soluble elements Content- Australian/New Zealand Standard on Safety of Toys AS/NZS ISO 8124.3:2021,determined by ICP

Compound		Material				Limit (mg/kg)	RL (mg/kg)
		1	2	3	4		
1	Antimony (Sb)	N.D.	N.D.	N.D.	N.D.	60	5
2	Arsenic (As)	N.D.	N.D.	N.D.	N.D.	25	2
3	Barium (Ba)	N.D.	N.D.	N.D.	N.D.	1000	5
4	Cadmium (Cd)	N.D.	N.D.	N.D.	N.D.	75	5
5	Chromium (Cr)	N.D.	N.D.	N.D.	N.D.	60	5
6	Lead (Pb)	N.D.	N.D.	N.D.	N.D.	90	5
7	Mercury (Hg)	N.D.	N.D.	N.D.	N.D.	60	5
8	Selenium (Se)	N.D.	N.D.	N.D.	N.D.	500	5
Conclusion		PASS	PASS	PASS	PASS	-	-

Compound	Material	Limit	RL
----------	----------	-------	----

This report is issued by the company in accordance with the requirements of the "Conditions of Issuance of Test Reports" printed in the attached page. Unless otherwise stated, the results presented in this report only apply to the samples tested this time. Partial reproduction of this report is not allowed unless approved by the company in writing.

Guangzhou Depuhua Test Services Co. Ltd.

A301, 3/F., Xinghui Building, Guanqiao, Shilou, Panyu District, Guangzhou, Guangdong e-mail: stsgz@stsapp.com

Phone: +86 (0)20-6664 1688

Fax: +86 (0)20-6664 1699

Web://www.stsgz.com



TEST REPORT

Report No.: STSGZ2210083056E

Date: 14-Nov-2022

Page 25 of 31

		5	6	13	(mg/kg)	(mg/kg)
1	Antimony (Sb)	N.D.	N.D.	N.D.	60	5
2	Arsenic (As)	N.D.	N.D.	N.D.	25	2
3	Barium (Ba)	N.D.	N.D.	N.D.	1000	5
4	Cadmium (Cd)	N.D.	N.D.	N.D.	75	5
5	Chromium (Cr)	N.D.	N.D.	N.D.	60	5
6	Lead (Pb)	N.D.	N.D.	N.D.	90	5
7	Mercury (Hg)	N.D.	N.D.	N.D.	60	5
8	Selenium (Se)	N.D.	N.D.	N.D.	500	5
Conclusion		PASS	PASS	PASS	-	-

Remark(s): (a) mg/kg: milligram per kilogram = part per million = ppm
 (b) RL: Report limit
 (c) N.D.: Not detected (result is less than RL)

21. Phthalates content- As Client' s Requirement

Refer To CPSC-CH-C1001-09.4, determined by GC-MS

Compound			Material				Client's Limit (%)	RL (%)
			1	2	3	4		
1	DBP	Dibutyl phthalate CAS# 84-74-2	N.D.	N.D.	N.D.	N.D.	-	0.005
2	DEHP	Di(2-ethylhexyl) phthalate CAS# 117-81-7	N.D.	N.D.	N.D.	N.D.	-	0.005
3	BBP	Benzyl butyl phthalate CAS# 85-68-7	N.D.	N.D.	N.D.	N.D.	-	0.005
4	DINP	Di-isononyl phthalate CAS# 68515-48-0	N.D.	N.D.	N.D.	N.D.	-	0.005
5	DNOP	Di-n-octyl phthalate CAS# 117-84-0	N.D.	N.D.	N.D.	N.D.	-	0.005
6	DIDP	Di-isodecyl phthalate CAS# 26761-40-0	N.D.	N.D.	N.D.	N.D.	-	0.005
7	DPP	Dipentyl phthalate CAS# 131-18-0	N.D.	N.D.	N.D.	N.D.	-	0.005
8	DIBP	Di-iso-butyl phthalate CAS# 84-69-5	N.D.	N.D.	N.D.	N.D.	-	0.005
9	Dnpp	Phthalic acid, bis-n-pentyl ester CAS# 131-18-0	N.D.	N.D.	N.D.	N.D.	-	0.005
10	DIHP	1,2-Benzenedicarboxylic acid, di-C6-8- branchedalkyl esters,C7- rich CAS# 71888-89-6	N.D.	N.D.	N.D.	N.D.	-	0.005

This report is issued by the company in accordance with the requirements of the "Conditions of Issuance of Test Reports" printed in the attached page. Unless otherwise stated, the results presented in this report only apply to the samples tested this time. Partial reproduction of this report is not allowed unless approved by the company in writing.

Guangzhou Depuhua Test Services Co. Ltd.

A301, 3/F., Xinghui Building, Guanqiao, Shilou, Panyu District, Guangzhou, Guangdong e-mail: stsgz@stsapp.com

Phone: +86 (0)20-6664 1688

Fax: +86 (0)20-6664 1699

Web://www.stsgz.com



TEST REPORT

Report No.: STSGZ2210083056E

Date: 14-Nov-2022

Page 26 of 31

11	DHNUP	1,2-Benzenedicarboxylic acid, di-C7-11-branched and linear alkyl esters CAS# 68515-42-4	N.D.	N.D.	N.D.	N.D.	-	0.005
12	DMEP	Dimethoxyethyl phthalate CAS# 117-82-8	N.D.	N.D.	N.D.	N.D.	-	0.005
13	DIPP	Di-isopentyl phthalate CAS# 605-50-5	N.D.	N.D.	N.D.	N.D.	-	0.005
14	PIPP	N-pentyl-isopentylphthalate O-CAS# 776297-69-9	N.D.	N.D.	N.D.	N.D.	-	0.005
15	-	1,2-Benzenedicarboxylic acid, dipentylester, branched and linear CAS# 84777-06-0	N.D.	N.D.	N.D.	N.D.	-	0.005
16	DHP	Di-n-hexyl phthalate CAS# 84-75-3	N.D.	N.D.	N.D.	N.D.	-	0.005
17	DNHP	Di-n-hexyl phthalate CAS# 84-75-3	N.D.	N.D.	N.D.	N.D.	-	0.005

Compound			Material				Client's Limit (%)	RL (%)
			5	11	12	13		
1	DBP	Dibutyl phthalate CAS# 84-74-2	N.D.	N.D.	N.D.	N.D.	-	0.005
2	DEHP	Di(2-ethylhexyl) phthalate CAS# 117-81-7	N.D.	N.D.	N.D.	N.D.	-	0.005
3	BBP	Benzyl butyl phthalate CAS# 85-68-7	N.D.	N.D.	N.D.	N.D.	-	0.005
4	DINP	Di-isononyl phthalate CAS# 68515-48-0	N.D.	N.D.	N.D.	N.D.	-	0.005
5	DNOP	Di-n-octyl phthalate CAS# 117-84-0	N.D.	N.D.	N.D.	N.D.	-	0.005
6	DIDP	Di-isodecyl phthalate CAS# 26761-40-0	N.D.	N.D.	N.D.	N.D.	-	0.005
7	DPP	Dipentyl phthalate CAS# 131-18-0	N.D.	N.D.	N.D.	N.D.	-	0.005
8	DIBP	Di-iso-butyl phthalate CAS# 84-69-5	N.D.	N.D.	N.D.	N.D.	-	0.005
9	Dnpp	Phthalic acid, bis-n-pentyl ester CAS# 131-18-0	N.D.	N.D.	N.D.	N.D.	-	0.005
10	DIHP	1,2-Benzenedicarboxylic acid, di-C6-8-branchedalkyl esters,C7-rich CAS# 71888-89-6	N.D.	N.D.	N.D.	N.D.	-	0.005
11	DHNUP	1,2-Benzenedicarboxylic acid, di-C7-11-branched and linear alkyl esters CAS# 68515-42-4	N.D.	N.D.	N.D.	N.D.	-	0.005
12	DMEP	Dimethoxyethyl phthalate CAS# 117-82-8	N.D.	N.D.	N.D.	N.D.	-	0.005

This report is issued by the company in accordance with the requirements of the "Conditions of Issuance of Test Reports" printed in the attached page. Unless otherwise stated, the results presented in this report only apply to the samples tested this time. Partial reproduction of this report is not allowed unless approved by the company in writing.

Guangzhou Depuhua Test Services Co. Ltd.

A301, 3/F., Xinghui Building, Guanqiao, Shilou, Panyu District, Guangzhou, Guangdong e-mail: stsgz@stsapp.com

Phone: +86 (0)20-6664 1688

Fax: +86 (0)20-6664 1699

Web://www.stsgz.com



TEST REPORT

Report No.: STSGZ2210083056E

Date: 14-Nov-2022

Page 27 of 31

13	DIPP	Di-isopentyl phthalate CAS# 605-50-5	N.D.	N.D.	N.D.	N.D.	-	0.005
14	PIPP	P-pentyl- isopentylphthalate Q-CAS# 776297-69-9	N.D.	N.D.	N.D.	N.D.	-	0.005
15	-	1,2-Benzenedicarboxylic acid, dipentylester, branched and linear CAS# 84777-06-0	N.D.	N.D.	N.D.	N.D.	-	0.005
16	DHP	Di-n-hexyl phthalate CAS# 84-75-3	N.D.	N.D.	N.D.	N.D.	-	0.005
17	DNHP	Di-n-hexyl phthalate CAS# 84-75-3	N.D.	N.D.	N.D.	N.D.	-	0.005

Remark(s): (a) RL: Report limit
(b) N.D.: Not detected (result is less than RL)

22. Lead Content (Pb) - 16 CFR 1303 CPSC-CH-E1003-09.1(Surface Coating), determined by AAS

Compound		Material				Limit (mg/kg)	RL (mg/kg)
		2	3	4	5		
1	Lead (Pb)	N.D.	N.D.	N.D.	N.D.	90	10
Conclusion		PASS	PASS	PASS	PASS	-	-

Compound		Material				Limit (mg/kg)	RL (mg/kg)
		13					
1	Lead (Pb)	N.D.				90	10
Conclusion		PASS				-	-

Remark(s): (a) mg/kg: milligram per kilogram
(b) RL: Report limit
(c) N.D.: Not detected (result is less than RL)

Material List:

Material #	Position / Sample Description

This report is issued by the company in accordance with the requirements of the "Conditions of Issuance of Test Reports" printed in the attached page. Unless otherwise stated, the results presented in this report only apply to the samples tested this time. Partial reproduction of this report is not allowed unless approved by the company in writing.

Guangzhou Depuhua Test Services Co. Ltd.

A301, 3/F., Xinghui Building, Guanqiao, Shilou, Panyu District, Guangzhou, Guangdong e-mail: stsgz@stsapp.com

Phone: +86 (0)20-6664 1688

Fax: +86 (0)20-6664 1699

Web://www.stsgz.com



TEST REPORT

Report No.: STSGZ2210083056E

Date: 14-Nov-2022

Page 28 of 31

1	Brown plywood, holder ^{*a}
2	Red coating, logo ^{*b}
3	Dark blue coating, logo ^{*c}
4	Dark green coating, logo ^{*d}
5	Transparent coating, holder ^{*e}
6	Brown wood,holder ^{*f}
7	Silvery metal, hexagonal screw ^{*g}
8	Silvery metal, nut(big) ^{*h}
9	Iridescent plated silvery metal,holder
10	Silvery metal, flat screw(big) ^{*i}
11	Green plastic,holder
12	Beige plastic, holder ^{*j}
13	Black coating,board ^{*k}

Remark: (a)*a=the test date was copies from STSGZ2203242003-24,2203243039-24.
(b)*b=the test date was copies from STSGZ2203242003-1,2203243039-1.
(c)*c=the test date was copies from STSGZ2203242003-7,2203243039-7.
(d)*d=the test date was copies from STSGZ2203242003-5,2203243039-5.
(e)*e=the test date was copies from STSGZ2203242003-21,2203243039-21.
(f)*f=the test date was copies from STSGZ2203242003-23,2203243039C-23.
(g)*g=the test date was copies from STSGZ2204203071-9.
(h)*h=the test date was copies from STSGZ2204203071-10
(i)*i=the test date was copies from STSGZ2204203071-24.
(j)*j=the test date was copies from STSGZ2204203071-11.
(k)*k=the test date was copies from STSGZ2203242003-19,2203243039-19.

Photo(s):

This report is issued by the company in accordance with the requirements of the "Conditions of Issuance of Test Reports" printed in the attached page. Unless otherwise stated, the results presented in this report only apply to the samples tested this time. Partial reproduction of this report is not allowed unless approved by the company in writing.

Guangzhou Depuhua Test Services Co. Ltd.

A301, 3/F., Xinghui Building, Guanqiao, Shilou, Panyu District, Guangzhou, Guangdong e-mail: stsgz@stsapp.com
Phone: +86 (0)20-6664 1688 Fax: +86 (0)20-6664 1699 Web://www.stsgz.com

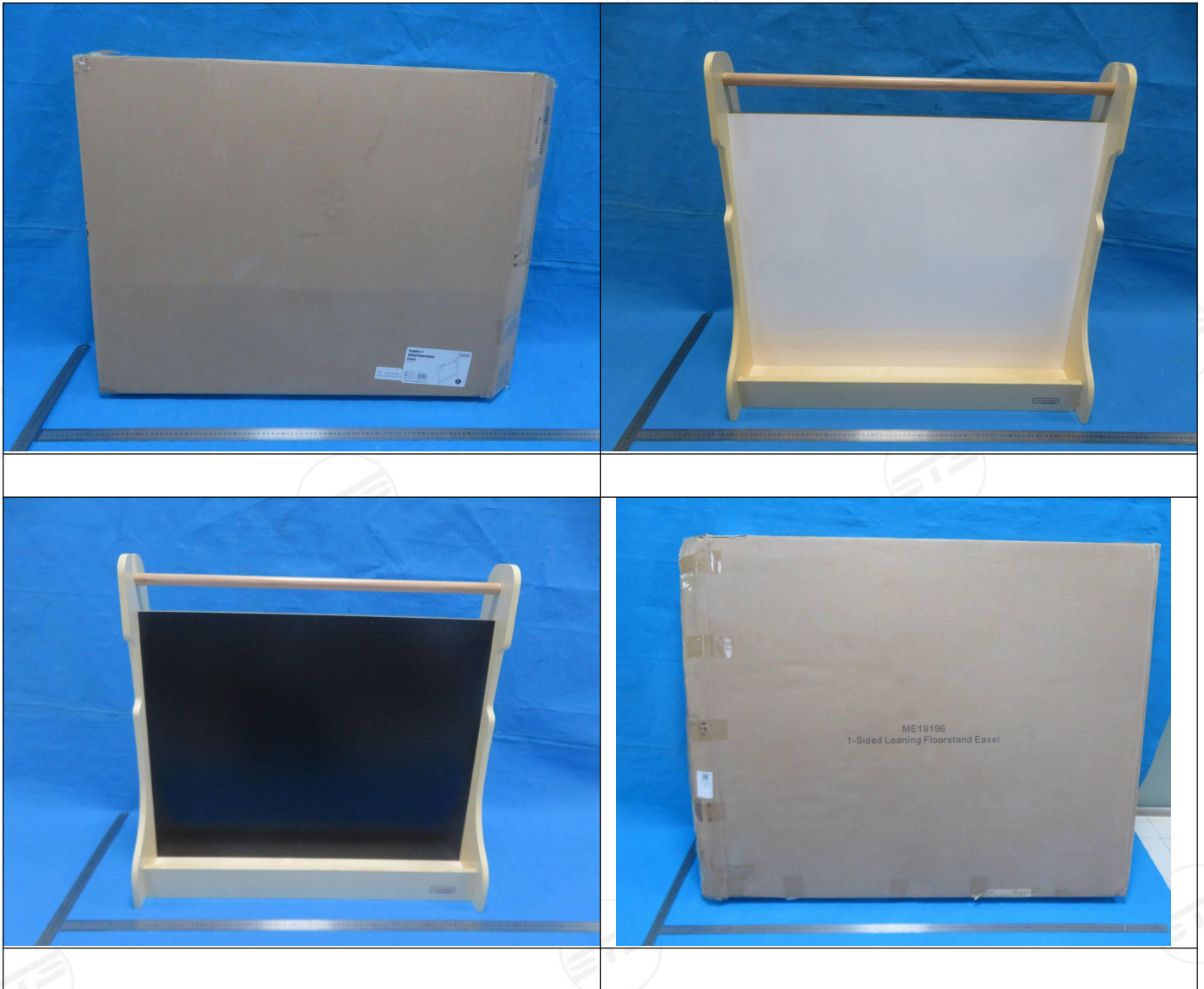


TEST REPORT

Report No.: STSGZ2210083056E

Date: 14-Nov-2022

Page 29 of 31



This report is issued by the company in accordance with the requirements of the "Conditions of Issuance of Test Reports" printed in the attached page. Unless otherwise stated, the results presented in this report only apply to the samples tested this time. Partial reproduction of this report is not allowed unless approved by the company in writing.

Guangzhou Depuhua Test Services Co. Ltd.

A301, 3/F., Xinghui Building, Guanqiao, Shilou, Panyu District, Guangzhou, Guangdong e-mail: stsgz@stsapp.com
Phone: +86 (0)20-6664 1688 Fax: +86 (0)20-6664 1699 Web://www.stsgz.com

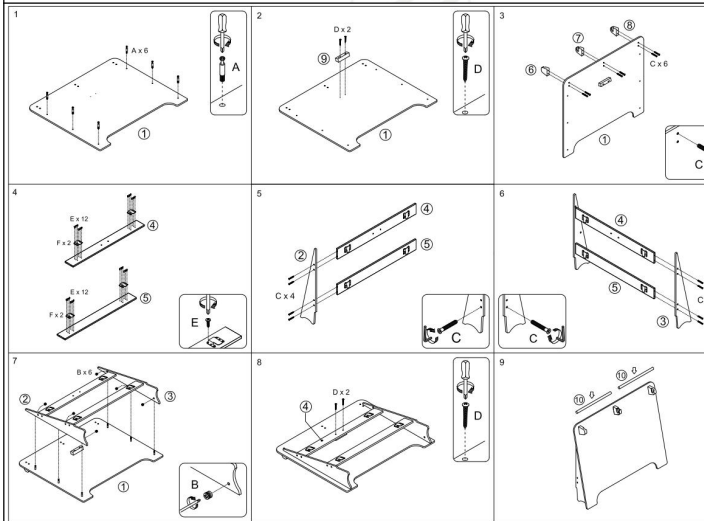


TEST REPORT

Report No.: STSGZ2210083056E

Date: 14-Nov-2022

Page 30 of 31



WARNING:
CHOKING HAZARD - Small Parts.
Not for children under 3 years.



Made In China
中国制造



WARNING:
Adult assembly required. This item contains small parts that have sharp points and edges in the unassembled state. Adults should take care when unpacking and assembling this item.



警告:
玩具包含小物件, 不适用三岁以下儿童



警告:
成人组装。产品包含小物件在未组装时有尖点和利边, 成人组装过程中, 请小心。

广东省东莞市企石镇上截黄金积工业区/东莞天志木制品有限公司

Manufactured by Carpenters Mfy Limited

Huang Jin Ji Industrial Zone, Qi Shi Town
Dong Guan City, China.

Name of Importer: Leker.pl

CICADA EDUCATIONCL EQUIPMENT LTD

2nd Floor 4 The Limes Ingatestone Essex CM4 0BE
VAT Reg 204 5938 13

Address of Importer: Wolska 34, 05-650 Chynów

Product Photo

<<< <<< END OF REPORT >>> >>>

This report is issued by the company in accordance with the requirements of the "Conditions of Issuance of Test Reports" printed in the attached page. Unless otherwise stated, the results presented in this report only apply to the samples tested this time. Partial reproduction of this report is not allowed unless approved by the company in writing.

Guangzhou Depuhua Test Services Co. Ltd.

A301, 3/F., Xinghui Building, Guanqiao, Shilou, Panyu District, Guangzhou, Guangdong e-mail: stsgz@stsapp.com

Phone: +86 (0)20-6664 1688

Fax: +86 (0)20-6664 1699

Web://www.stsgz.com



TEST REPORT

Report No.: STSGZ2210083056E

Date: 14-Nov-2022

Page 31 of 31

声明 Statement

- 本检测报告首页所列信息中除样品来源、接样日期、检测日期、检测结果和检测结论外，均由委托方提供，委托方对样品的代表性和资料的真实性负责，本实验室不承担任何相关责任。
The information as listed on the first page of this test report was all provided by the client except the sample from, date received, test period, test results and test conclusion. The client shall be responsible for the representativeness of sample and authenticity of materials, for which STS shall bear no responsibilities.
- 本检测报告以实测值进行符合性判定，未考虑不确定度所带来的风险，特别约定、标准或规范中有明确规定的除外。此种判定方式所带来的风险由客户自行承担，本实验室不承担相关责任。
The judgment method of determining the conformity in this test report is according to the measured value without considering the risk caused by uncertainty, unless otherwise clearly stipulated in special agreement, standard or specification. The client shall assume the risk caused by the judgment method, and STS shall not bear related responsibilities.
- 检测报告无批准人签字及“检验检测专用章”无效，未经本实验室书面同意，不得整体或部分复制本报告。
The test report is effective only with both signature and specialized stamp. Without written approval of STS, this report can't be reproduced in full or in part.
- 本检测报告的检测结果仅对送测样品负责，未加盖资质认定标志的检测报告不对社会具有公证证明作用，对于检测数据、结果的使用，所产生的直接或间接损失及一切法律后果，本实验室不承担任何经济和法律责任。
This test data is only responsible for the tested sample. The data and results provided by the report without CMA accreditation are not to prove to the society, and STS is not responsible for any economic and legal responsibility for the use of the test data, the direct or indirect losses resulting from the use of the test and all legal consequences.
- 本检测报告中检测项目标注有下划线则该项目不在本实验室资质认定能力范围内，该项目检测结果仅作为客户委托、科研、教学或内部质量控制等目的使用。
The underlined test item in the report is out of the scope of CMA accreditation. The test result only used for client's requirement, scientific researching ,teaching or internal quality control.
- 其它声明请查阅报告页脚及书面报告末页。
For other statements, please refer to the footer of the report.

This report is issued by the company in accordance with the requirements of the "Conditions of Issuance of Test Reports" printed in the attached page. Unless otherwise stated, the results presented in this report only apply to the samples tested this time. Partial reproduction of this report is not allowed unless approved by the company in writing.

Guangzhou Depuhua Test Services Co. Ltd.

A301, 3/F., Xinghui Building, Guanqiao, Shilou, Panyu District, Guangzhou, Guangdong e-mail: stsgz@stsapp.com
Phone: +86 (0)20-6664 1688 Fax: +86 (0)20-6664 1699 Web://www.stsgz.com

签发测试报告条款

Conditions of Issuance of Test Reports

1. 广州市德普华检测技术有限公司(以下简称[公司])为提供符合下述条款的测试和报告,而接受有关样品和货品。本公司基于下述条款提供服务,下述条款为本公司与申请服务的个人、企业或公司(以下简称[客户])的协议。

All samples and goods are accepted by the Guangzhou Depuhua Test Services Co., Ltd. (the "Company") solely for testing and reporting in accordance with the following terms and conditions. The company provides its services on the basis that such terms and conditions constitute express agreement between the Company and any person, firm or company requesting its services (the "Clients").
2. 由此测试申请所发出的任何报告(以下简称[报告]),本公司会严格为客户保密。未经本公司的书面同意,报告的整体或部分不得复制,也不得用于广告或授权的其他用途。然而,客户可以将本公司印制的报告或认可的副本,向其客户、供货商或直接相关的其它人出示或提交。除非相关政府部门、法律或法规要求,否则未经客户同意,本公司不得将报告内容向任何第三方讨论或披露。

Any report issued by Company as a result of this application for testing services (the "Report") shall be issued in confidence to the Clients and the Report will be strictly treated as such by the Company. It may not be reproduced either in its entirety or in part and it may not be used for advertising or other unauthorized purposes without the written consent of the Company. The Clients to whom the Report is issued may, however, show or send it, or a certified copy thereof prepared by the Company to its customer, supplier or other persons directly concerned. The Company will not, without the consent of the Clients, enter into any discussion or correspondence with any third party concerning the contents of the Report, unless required by the relevant governmental authorities, laws or court order.
3. 除非相关政府部门、法律或法院要求,否则未经公司预先书面同意,本公司毋需,也并无义务到法院对有关报告作证。

The Company shall not be called or be liable to be called to give evidence or testimony on the Report in a court of law without its prior written consent, unless required by the relevant governmental authorities, laws or court orders.
4. 除非本公司进行抽样,并已在报告中说明,否则报告中适用于送测的样品(样品信息为客户提供),不适用于批量。

The Report refers only to the tested sample (Sample information is provided by customer) and does not apply to the bulk, unless the sampling has been carried out by the Company and is stated as such in the Report.
5. 如果本公司确定报告被不当地使用,本公司保留撤回报告的权利,并有权要求其它适当的额外赔偿。

In the event of the improper use of the report as determined by the Company, the Company reserves the right to withdraw it, and to adopt any other additional remedies which may be appropriate.
6. 本公司接受样品进行测试的前提是,该测试报告不能作为针对本公司法律行动的依据。

Samples submitted for testing are accepted on the understanding that the Report issued cannot form the basis of, or be the instrument for, any legal action against the Company.
7. 如因使用本公司中心任何报告内的资料,或任何传播信息所描述与之有关的测试或研究导致的任何损失或损害,本公司概不负责。

The Company will not be liable for or accept responsibility for any loss or damage however arising from the use of information contained in any of its Reports or in any communication whatsoever about its said tests or investigations.
8. 若需要在法院审理程序或者仲裁过程中使用测试报告,客户必须在提交测试样品前将该意图告知本公司。

Clients wishing to use the Report in court proceedings or arbitration shall inform the Company to that effect prior to submitting the sample for testing.
9. 该测试报告的支持数据和信息本公司保存 10 年。个别评审机构有特别要求的,检测数据和报告的保存期可依情况变动。一旦超过上述提交的保存期限,数据和信息将被处理掉。任何情况下,本公司不必提供任何被处理的过期数据或信息。即使本公司事先被告知可能会发生相关的损害,本公司在任何情况下也不必承担任何损害,包括(但不限于)补偿性赔偿、利润损失、数据遗失、或任何形式的特殊损害、附带损害、间接损害、从属损害或任何违反约定、违反承诺、侵权(包括疏忽)、产品责任或其他原因的惩罚性损害。

Subject to the variable length of retention time for test data and report stored hereinto as otherwise specifically required by individual accreditation authorities, the Company will only keep the supporting test data and information of the test report for a period of ten years. The data and information will be disposed of after the aforementioned retention period has elapsed. Under no circumstances shall we provide any data and information which has been disposed of after retention period. Under no circumstances shall we be liable for damage of any kind, including (but not limited to) compensatory damages, lost profits, lost data, or any form of special, incidental, indirect, consequential or punitive damages of any kind, whether based on breach of contract of warranty, tort (including negligence), product liability or otherwise, even if we are informed in advance of the possibility of such damages.
10. 报告的签发记录可通过登录 www.stsgz.com 查询。如需进一步查询报告有效性或核实报告,需与本公司联系。

Issuance records of the Report are available on the internet at www.stsgz.com. Further enquiry of validity or verification of the Report should be addressed to the company.